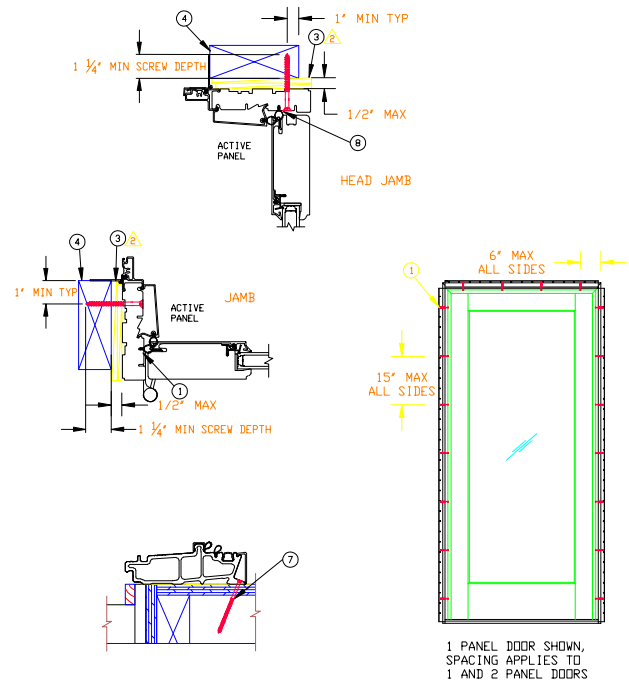


JAMB SCREW INSTALLATION



JAMB SCREW INSTALLATION METHOD:

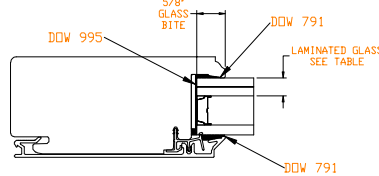
- UNIT MUST NOT BE IN DIRECT CONTACT WITH EITHER CONCRETE OR TREATED BUCK MATERIAL. IF SHIM SPACE IS LESS THAN 1/8" WRAPPING THE JAMBS AND HEAD JAMBS WITH WINDOW FLASHING TAPE IS REQUIRED AS A BARRIER BETWEEN THE UNIT AND CONCRETE OR TREATED LUMBER.
- SECURE THE JAMBS AND HEAD JAMB WITH #8 X 3" SCREWS SPACING 6" FROM CORNER AND 15" ON CENTER
- MINIMUM OF 2 PER SIDE.
- SHIM AT EACH SCREW LOCATION
- APPLY TWO #10 X 3" SCREWS INTO EACH HEADER STRIKE
- APPLY FIVE #10 X 3" SCREWS PER SILL REINFORCEMENT
- APPLY #8 X 1 1/2" SCREWS THROUGH SILL SPACED 4" FROM END AND 15" ON CENTER
- APPLY 2 #10X 2-1/2 SCREWS THRU EACH HINGE
- NAILING FIN SHOWN BUT IS OPTIONAL

NOTES:

- THIS PRINT IS FOR STRUCTURAL PERFORMANCE ONLY. FOR FLASHING & SEALING REQUIREMENTS, REFER TO THE INSTALLATION INSTRUCTIONS.
- SHIMS:
 - A SHIM MUST BE PLACED 4-6" FROM EACH CORNER.
 - ALL OTHERS MUST BE PLACED A MAX OF 15 INCHES APART.
- IF CHEMICALLY TREATED LUMBER IS USED FOR BUCK MATERIAL, FASTENERS INTO THE BUCK MUST BE A MINIMUM OF 0.90 OZ/FT² ZINC HOT DIPPED GALVANIZED OR STAINLESS STEEL TYPE 304 OR 316.

UNIT	MAX PANEL WIDTH	MAX FRAME SIZE	PG	GLASS OPTION
UL INSDR 2.25 IZ3	35 1/8"	72 3/8" X 98"	+65/-65	A
UL INSDR 2.25 G2 IZ3	35 1/8"	72 3/8" X 98"	+65/-65	A
UL INSDR 2.25 G2 IZ3	41 1/8"	84 3/8" X 98"	+65/-65	A
UL INSDR 2.25 G2 IZ3	35 1/8"	72 3/8" X 122"	+65/-65	B

TYPE	LAMINATED GLASS MAKE UP	EXT LITE
A	3.0mm(.122") ANN + .090 SGP interlayer + 3.0mm(.122") ANN	4.7mm T
B	3.9mm(.156") ANN + .090 SGP interlayer + 3.9mm(.156") ANN	5.7mm T



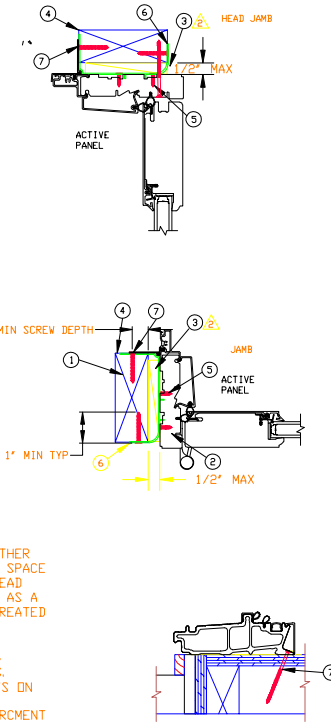
GLAZING DETAIL

CATEGORY:
SWINGING FRENCH DOOR

UNIT TYPE:
UID 2.25 IZ3, UIFD 2.25 IZ3 G2, UIFD 2.25 IZ3 G2

		UNSPECIFIED TOLERANCES	
8	----- #10 X 3" WOOD SCREW	DECIMALS:	ANGLE DEG:
7	----- #8 X 1 1/2" SCREW	XX ± .03	± .5
6	----- STRUCTURAL BRACKET	XXX ± .012	
5	----- #8 X 5/8" SCREW	LINEAL:	FAB LINEAL:
4	----- 2X WOOD BUCK BY OTHERS	+ .125	± NA
3	----- SHIM	- .000	
2	----- #10 X 2 1/2" WOOD SCREW	MATERIAL:	
1	----- #8 X 3" WOOD SCREW		
ITEM NO	REF NO	DESCRIPTION	NA

STRUCTURAL BRACKET INSTALLATION



STRUCTURAL BRACKET INSTALLATION METHOD:

- UNIT MUST NOT BE IN DIRECT CONTACT WITH EITHER CONCRETE OR TREATED BUCK MATERIAL. IF SHIM SPACE IS LESS THAN 1/8" WRAPPING THE JAMBS AND HEAD JAMB WITH WINDOW FLASHING TAPE IS REQUIRED AS A BARRIER BETWEEN THE UNIT AND CONCRETE OR TREATED LUMBER.
- MINIMUM OF 2 BRACKETS PER SIDE.
- SCREWS LISTED BELOW MUST BE FULLY EMBEDDED.
- ATTACH TO THE UNIT WITH TWO #8 X 3/8" SCREWS.
- ATTACH TO THE BUCK WITH TWO #8 X 1 1/2" SCREWS ON EACH SIDE OF THE BUCK.
- APPLY FIVE #10 X 3" SCREWS PER SILL REINFORCEMENT
- APPLY #8 X 1 1/2" SCREWS THROUGH SILL SPACED 4" FROM ENDS AND 15" ON CENTER
- APPLY TWO #10 X 3" SCREWS INTO EACH HEADER STRIKE
- APPLY 2 #10X 2-1/2 SCREWS THRU EACH HINGE
- NAILING FIN SHOWN BUT IS OPTIONAL

MARVIN		RESEARCH & DEVELOPMENT	
COLLECTION: ULTIMATE			
DWG TYPE: INSTALLATION			
DESCRIPTION: UID 2.25 IZ3, UIFD 2.25 IZ3 G2, UIFD 2.25 IZ3 G2			
CHK:	SIZE: B	CLASS: MISC	DWG NO: 00132921
APP:	SCALE: NA	DATE: 1/24/2022	DWG BY: MARVIN\JacobB
			SHEET: 1 OF 1

NOTICE - CONFIDENTIAL INFORMATION

The information in this document is privileged and strictly confidential. The information contained herein shall be used only by Marvin Windows and Doors employees and by those agents or suppliers granted official written permission. If the reader of this document is not the intended recipient, or the employee or agent of the intended recipient, please delete this document from all data storage devices, and destroy all hard copies. Any unauthorized dissemination, distribution, copying or other use of the information contained in this document is strictly prohibited.